



RV GENERATORS - QUIETPACT

QP-40

Gasoline & LP RV Generator Sets

Model 004709-0, 005852-0 - 3.6 kW 60Hz, Gas

Model 004701-0, 005853-0 - 3.4 kW 60Hz, LP

APPLICATIONS:

- Class B & C Motorhomes with a single roof A/C
- Travel Trailers
- Sport Utility Trailers
- Fifth Wheels
- Horse Trailers



FEATURES

- **INNOVATIVE DESIGN & PROTOTYPE TESTING** are key components of GENERAC'S success in "IMPROVING POWER BY DESIGN." But it doesn't stop there. Total commitment to component testing, reliability testing, environmental testing, destruction and life testing, plus testing to applicable CSA, RVIA, and other standards, allows you to choose GENERAC POWER SYSTEMS with the confidence that these systems will provide superior performance.
- **FULL PRESSURE LUBRICATION:** Superior lubrication to all vital bearings means better performance, less maintenance, and significantly longer engine life.
- **SINGLE SOURCE SERVICE RESPONSE** from Generac's dealer network provides parts and service know-how for the entire unit, from the engine to the smallest electronic component.
- **SOLID-STATE, FREQUENCY COMPENSATED VOLTAGE REGULATION.** This state-of-the-art power maximizing regulation system is standard on all Generac models. It provides optimized FAST RESPONSE to changing load conditions and MAXIMUM MOTOR STARTING CAPABILITY by electronically torque-matching the surge loads to the engine.
- **SUPERIOR FUEL ECONOMY:** Optimized engine performance resulting in the best fuel economy in it's class.
- **SINGLE SIDE SERVICEABILITY:** Easy access to all maintenance items including the automotive style spin-on oil filter.

GENERAC®

ENGINE	•Generac (OHVI) Design	Maximizes engine “breathing” for increased fuel efficiency. Plateau honed cylinder walls and plasma moly rings help engine run cooler, reducing oil consumption. Because heat is the primary cause of engine wear, the OHVI has a significantly longer life than competitive engines.
	•”Spiny-lok” cast iron cylinder walls	Rigid construction and added durability provide long engine life.
	•Solid-state ignition	Provides reliable starting every time.
	•Automatic, electronic choke	Automatically assures quick and reliable starting everytime.
	•Full pressure lubrication system	Superior lubrication to all vital bearings means better performance, less maintenance and significantly longer engine life.
	•Low oil pressure shutdown system	Superior shutdown protection prevents catastrophic engine damage due to low oil.
	•High temperature shutdown	Prevents damage due to overheating.
	•Certifications	RVIA, CARB, EPA, U.S. Forest Service
•Evaporative port available	CARB compliant in trailer applications.	
GENERATOR	•Displaced phase excitation	Maximizes motor starting capability.
	•Automatic voltage regulation	Regulates the output voltage to ±2% prevents damaging voltage spikes.
	•RVIA Listed	For your safety
CONTROLS	•Remote Start/Stop option	Allows for remote starting from any selected location inside the vehicle.
	•Battery charger	2 Amp "trickle charger" maintains battery when generator is in use.
	•Main Line Circuit Breaker	Protects generator from overload.
	•Mechanical governor	Reacts quickly to changing loads.
UNIT	•Durable, Rhino-coated enclosure	Provides the ultimate protection against mother nature.
	•Enclosed critical grade muffler	Quiet, critical grade muffler is mounted inside the unit to prevent injuries while stationary or in transit.
	•Spark arrested exhaust	Includes a spark arrestor approved by the U.S. Forest Services.
	•Small, compact, attractive	Makes for an easy, eye appealing installation.
	•Enhanced serviceability	Simple one side serviceability for performing maintenance.
	•Application specific mounting trays available	Smooth, simple installation into Class C, Class A and trailers.

SPECIFICATIONS

GENERAC®

GENERATOR	Model 4709/5852	Model 4701/5853
Rated Maximum Continuous Power Capacity	3600 Watts	3400 Watts
Rated Voltage	120	120
Rated Maximum Continuous Load Current 120 Volts	30 Amps	28.3 Amps
240 Volt Configurable	No	No
Main Line Circuit Breakers	30 Amp	30 Amp
Phase	1	1
Number of Rotor Poles	2	2
Rated AC Frequency	60Hz	60Hz
Power Factor	1	1
Engine RPM	3600	3600
Rotor RPM	3600	3600
Unit Weight (Pounds/Kilos)	170/77.1	170/77.1
Dimensions (L x W x H) inches mm	29.5 x 19 x 13.5 749 x 483 x 343	29.5 x 19 x 13.5 749 x 483 x 343
ENGINE	Model 4709/5852	Model 4701/5853
Type of Engine	GENERAC OHVI	GENERAC OHVI
Number of Cylinders	1	1
Displacement	220cc	220cc
Cylinder Block	Aluminum w/Cast Iron Sleeve	Aluminum w/Cast Iron Sleeve
Valve Arrangement	Overhead Valve	Overhead Valve
Ignition System	Solid-state w/Magneto	Solid-state w/Magneto
Governor System	Mechanical Fixed Speed	Mechanical Fixed Speed
Compression Ratio	9.0:1	9.0:1
Starter	12 Vdc	12 Vdc
Oil Capacity (Quarts/Liters)	Approx. 1.5 Qts./0.79L	Approx. 1.5 Qts./0.79L
Fuel Consumption		
Gallons/Liters per hour	Gasoline	LPG
10% Load	0.24/0.91	0.32/1.21
50% Load	0.35/1.32	0.55/2.08
100% Load	0.55/2.08	0.73/2.76

Service After the Sale

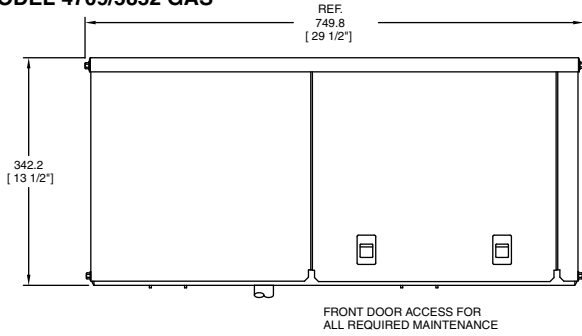
Generac's certified service organization, the largest in the industry, provides unsurpassed installation, reliable ongoing maintenance, and large inventories of parts, components, and accessories.

For RV product support please call 888-GENERAC or visit our dealer locator at www.guardiangenerators.com.

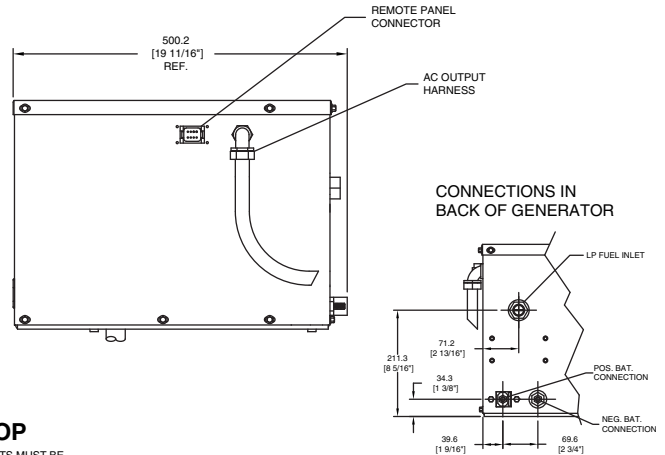
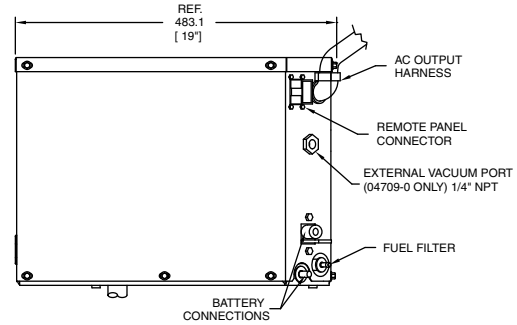
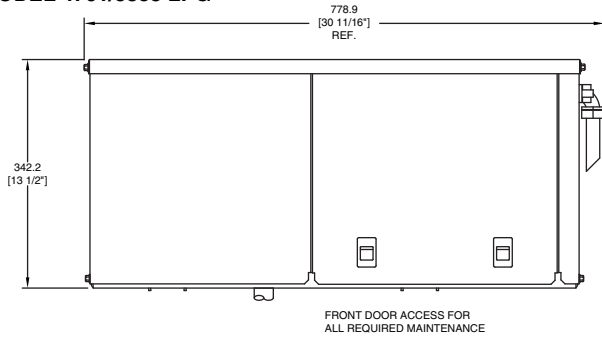
Owner's manuals (including installation, operation, maintenance and support information) are shipped with every Generac RV generator. Additional copies can be downloaded from www.generac.com.

Generac RV Generator - QP-40

MODEL 4709/5852 GAS



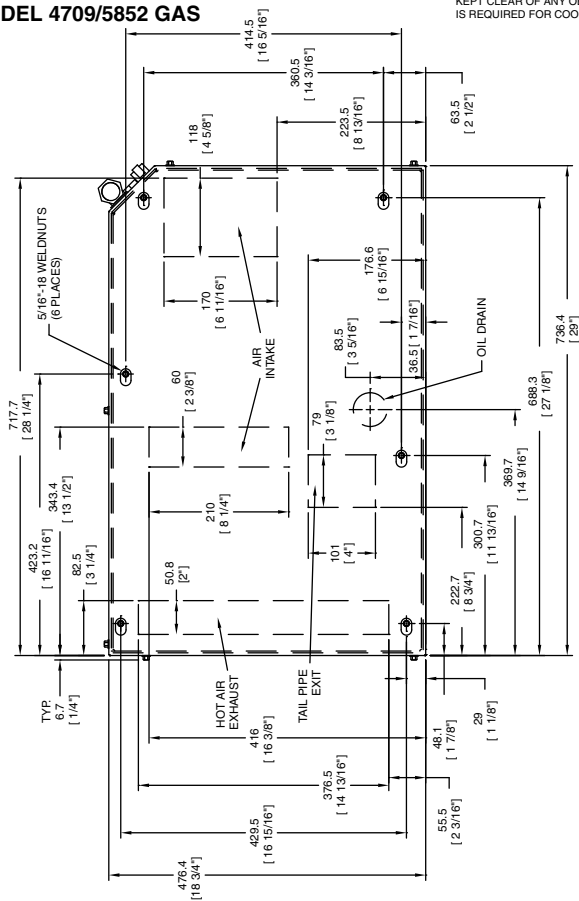
MODEL 4701/5853 LPG



VIEW FROM TOP

NOTE: ALL AIR INTAKES AND EXHAUST OUTLETS MUST BE KEPT CLEAR OF ANY OBSTRUCTIONS. ALL OPEN AREA IS REQUIRED FOR COOLING.

MODEL 4709/5852 GAS



MODEL 4701/5853 LPG

